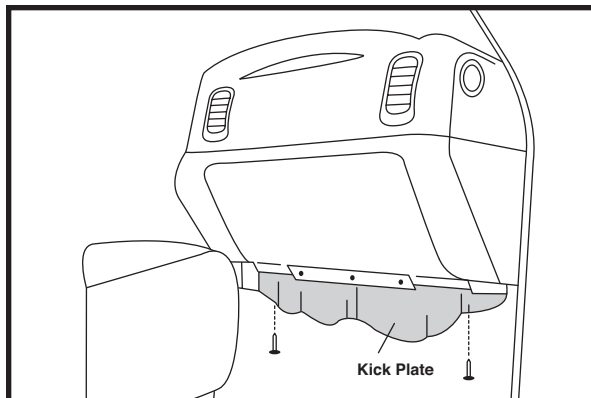
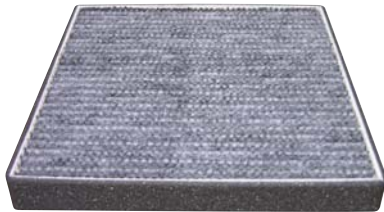


# CABIN AIR FILTER

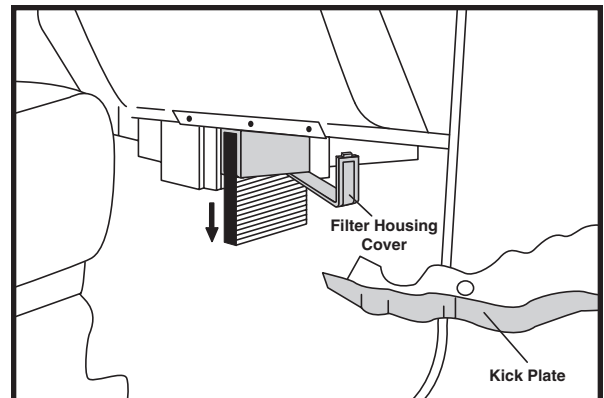
## IDENTIFICATION / INSTALLATION

**GM**

**PA4169**



1. Open passenger side door.
2. Remove screws on kick plate located under glove compartment.



3. Remove kick plate.
4. Unclip and swing filter housing cover to right.
5. Remove filter by pulling straight down.
6. Replace filter and reassemble.

**Notice:** The information provided is based on the latest authoritative information available at press time. However, due to manufacturers' changes, and year and model variations, Baldwin Filters cannot be responsible for misapplications and instruction errors.

**BALDWIN FILTERS**® **BALDWIN**  
a CLARCOR company

4400 East Highway 30 ■ P.O. Box 6010  
Kearney, Nebraska 68848-6010  
Phone: (308) 234-1951 ■ Toll Free: (800) 822-5394  
Fax: (800) 828-4453 ■ Int'l Fax: (308) 237-9769  
Internet: [www.baldwinfilter.com](http://www.baldwinfilter.com)